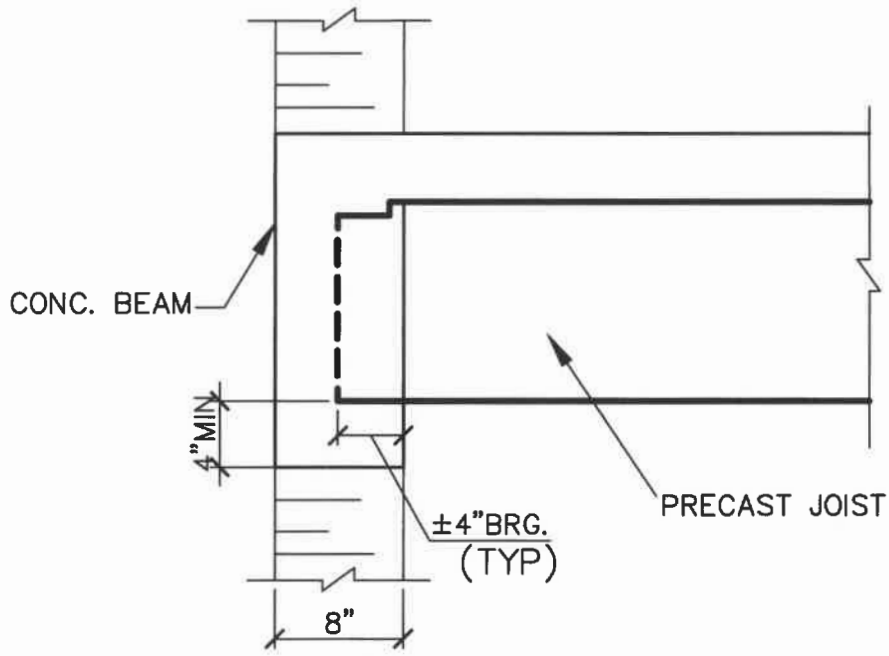




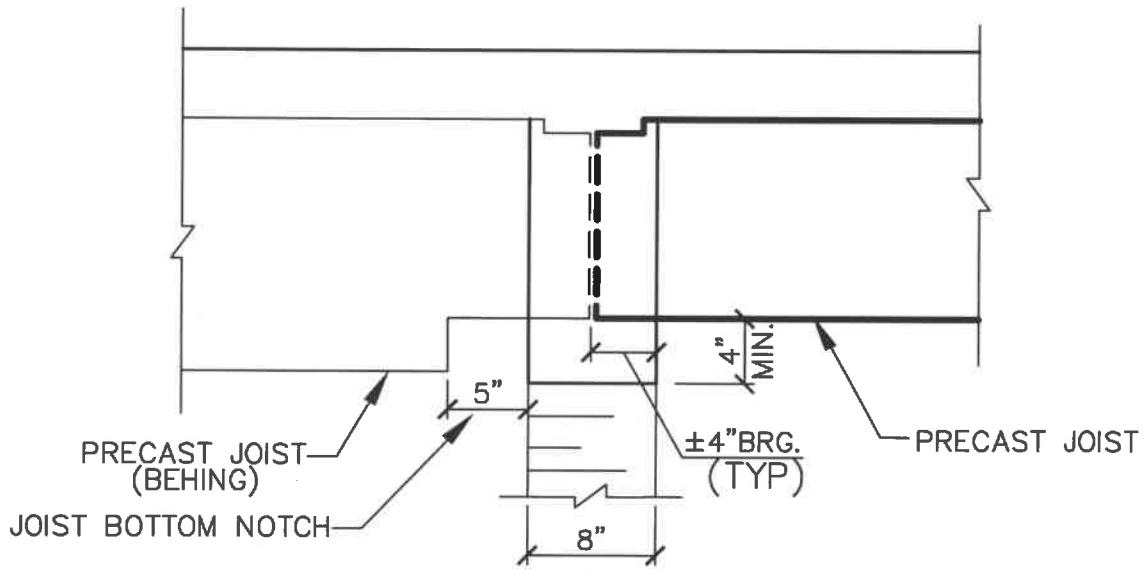
**PRESTRESS  
CONCRETE, INC.**



**DETAIL** 



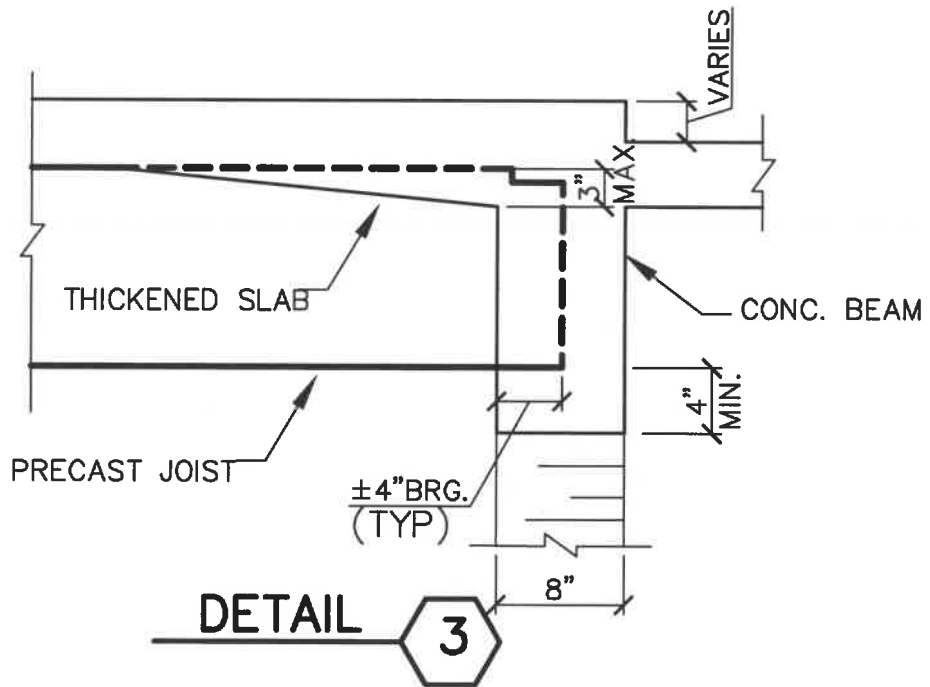
**PRESTRESS  
CONCRETE, INC.**



**DETAIL** 

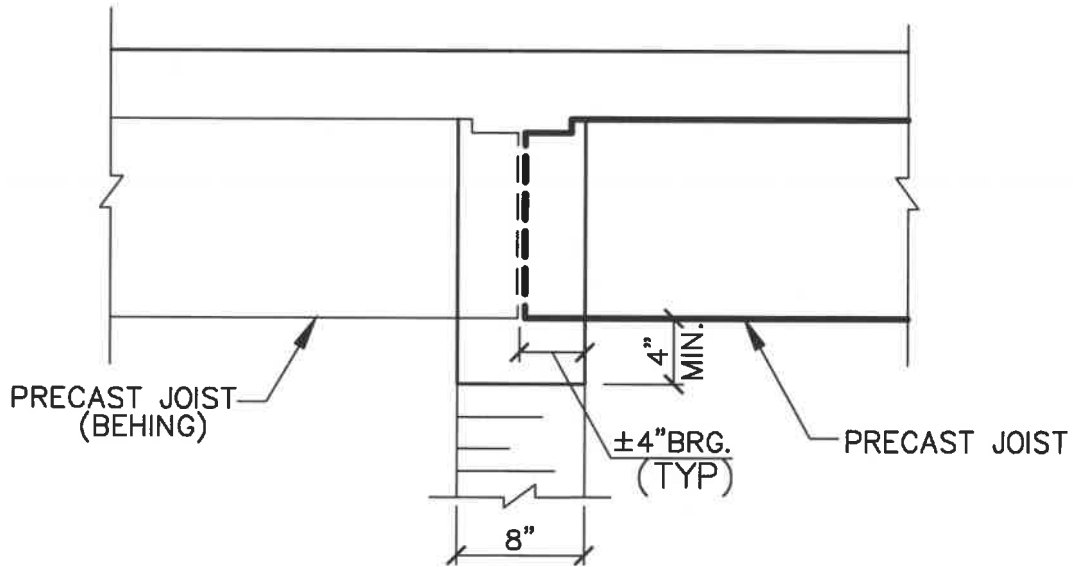


**PRESTRESS  
CONCRETE, INC.**





**PRESTRESS  
CONCRETE, INC.**

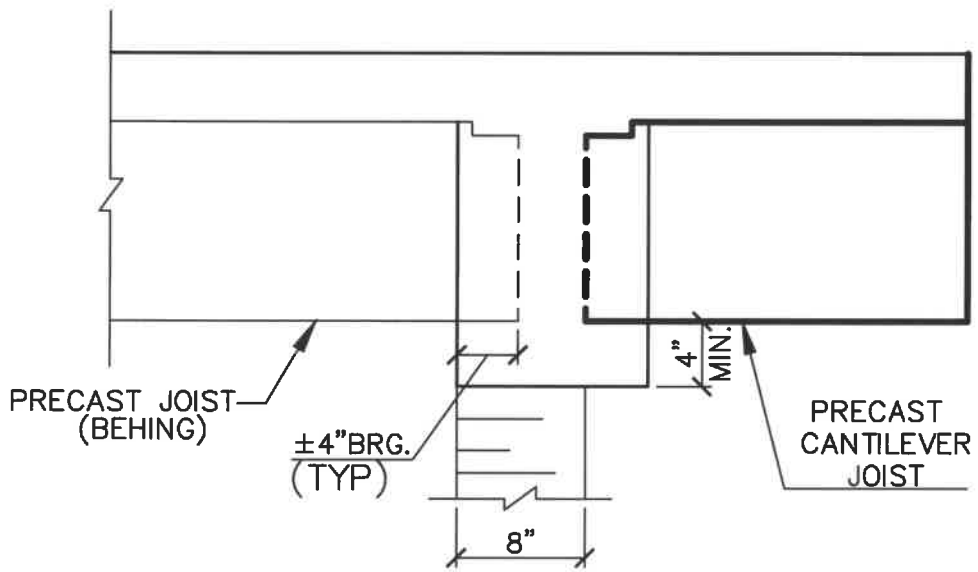


**DETAIL**

**4**



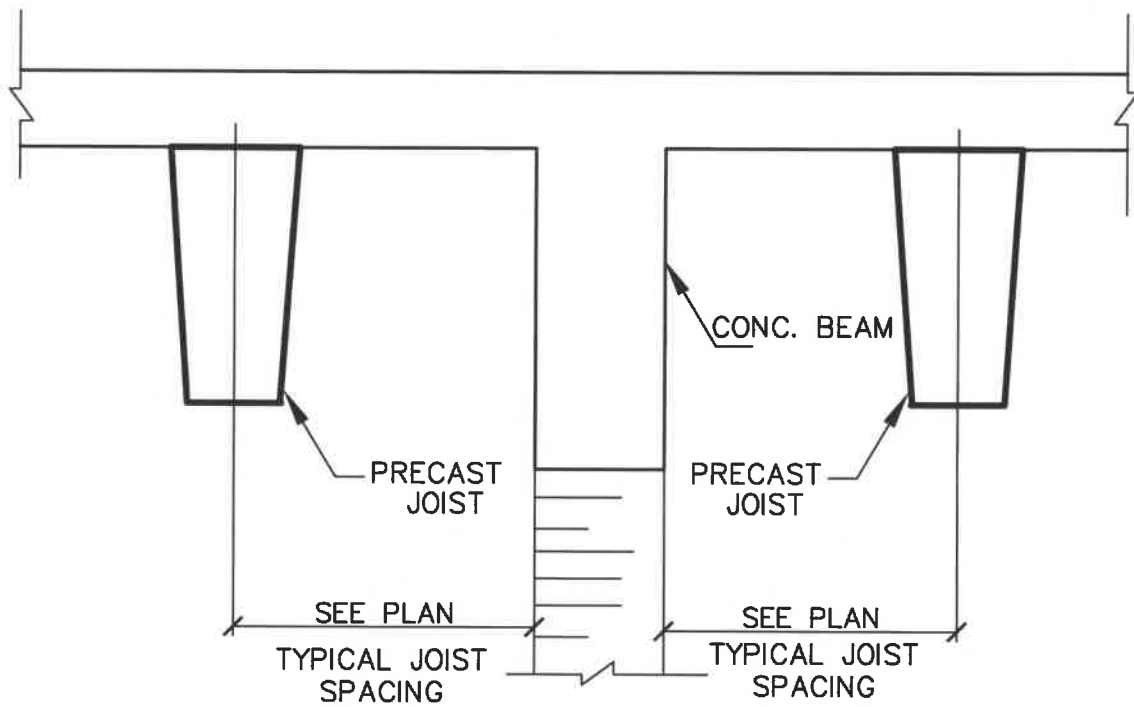
**PRESTRESS  
CONCRETE, INC.**



**DETAIL** 



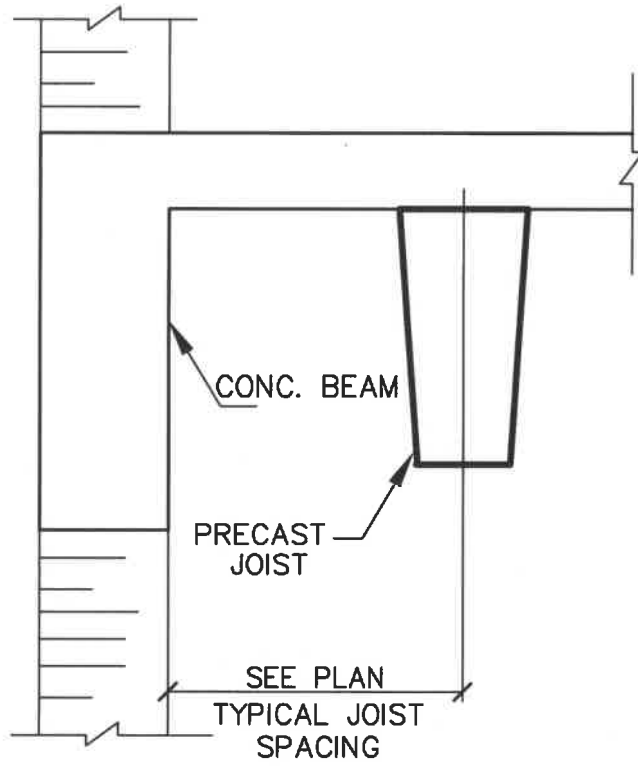
**PRESTRESS  
CONCRETE, INC.**



**DETAIL** 



**PRESTRESS  
CONCRETE, INC.**

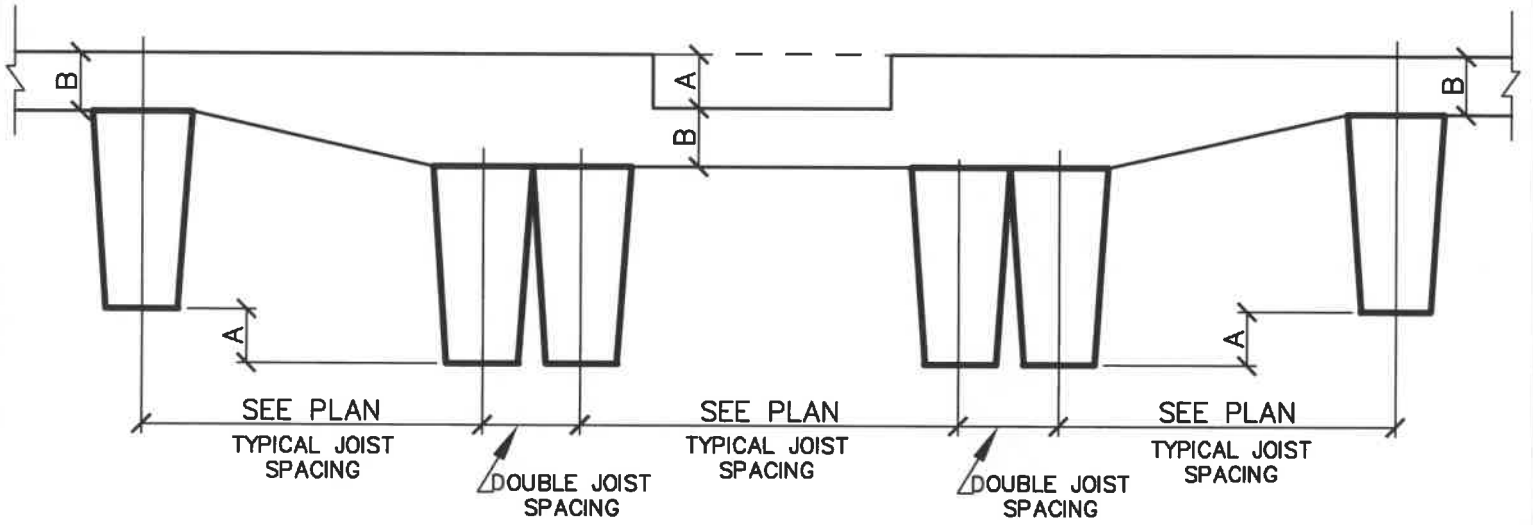


**DETAIL**





**PRESTRESS  
CONCRETE, INC.**



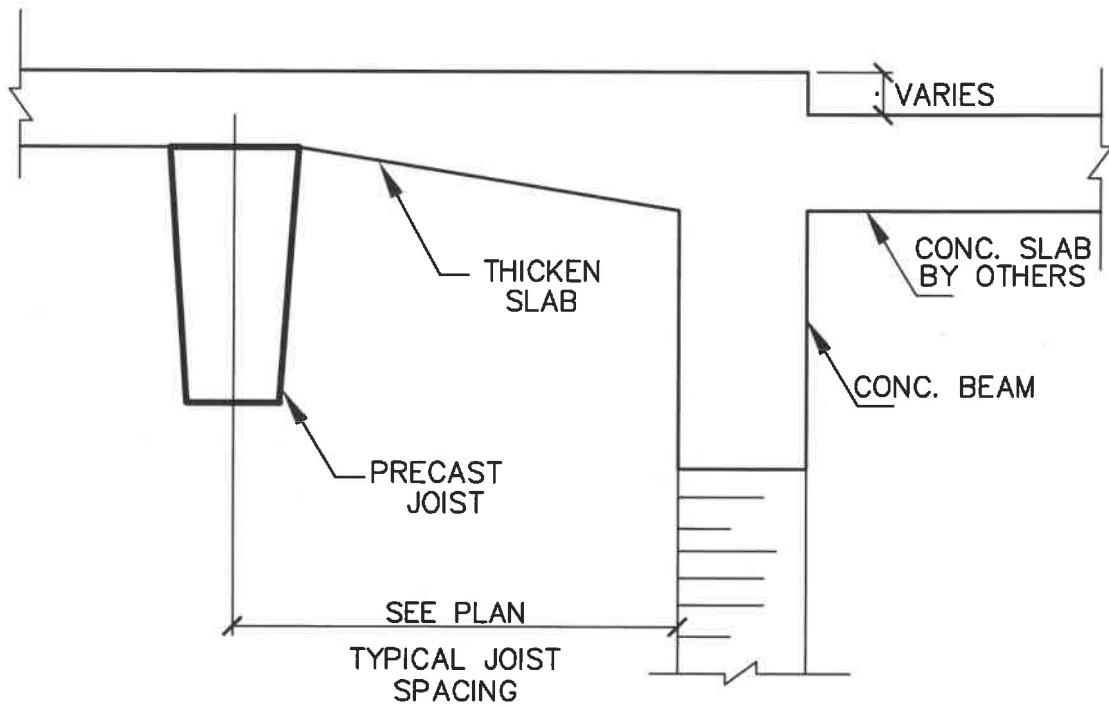
**DETAIL**

**8**





**PRESTRESS  
CONCRETE, INC.**

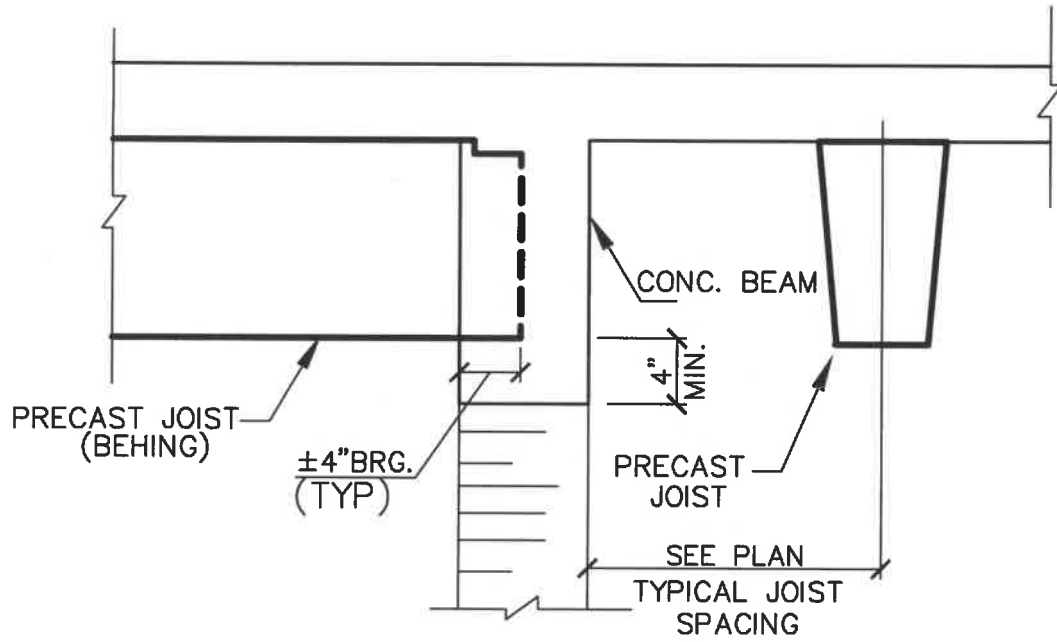


**DETAIL**

**9**



**PRESTRESS  
CONCRETE, INC.**

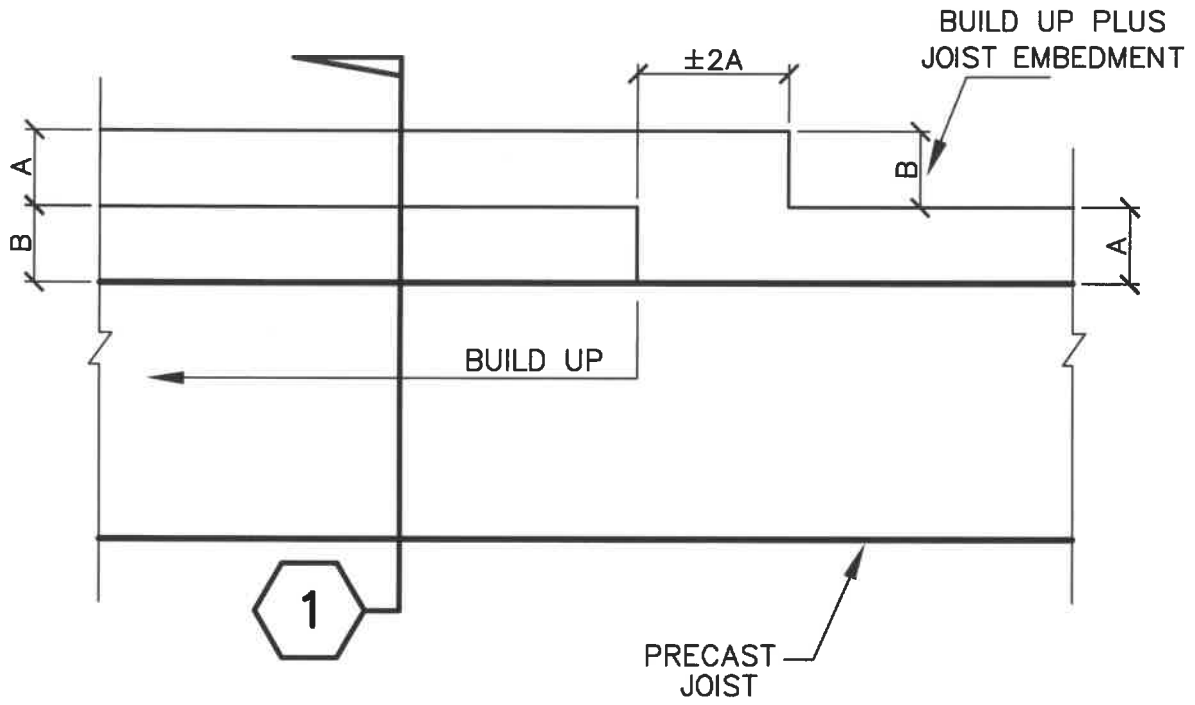


DETAIL

10



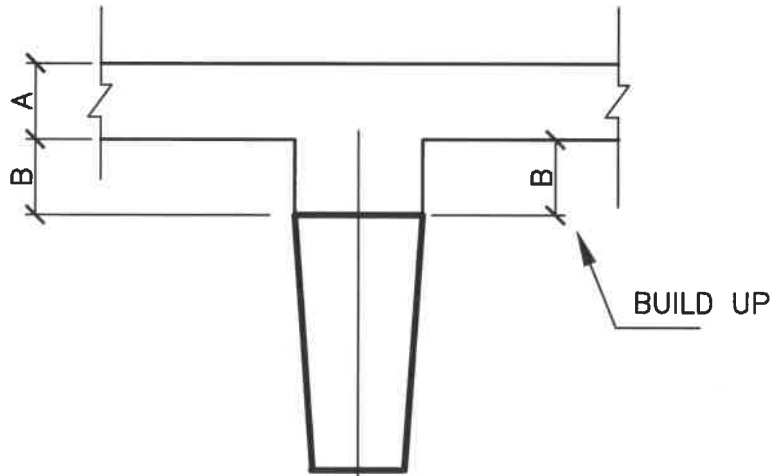
**PRESTRESS  
CONCRETE, INC.**



**DETAIL**

**11**

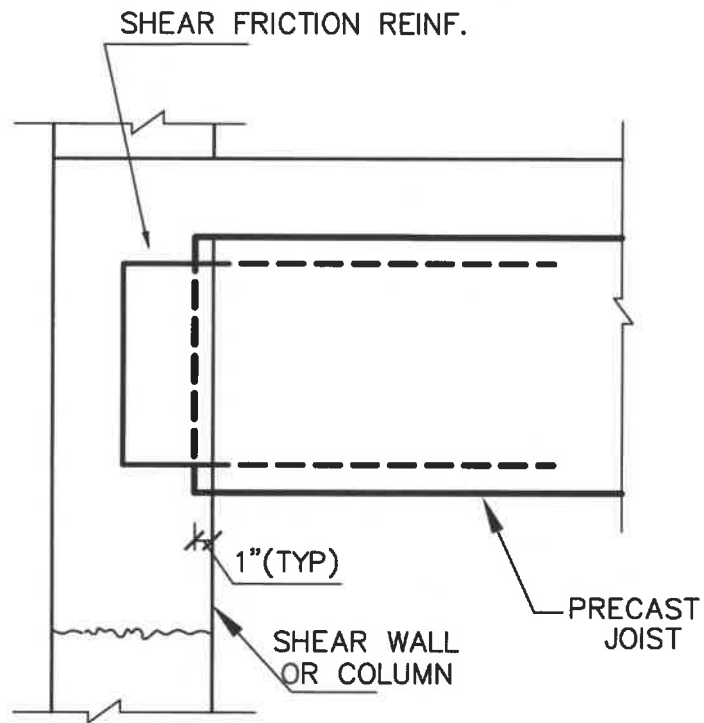
SCALE 1" = 1/4"



**SECTION 1**



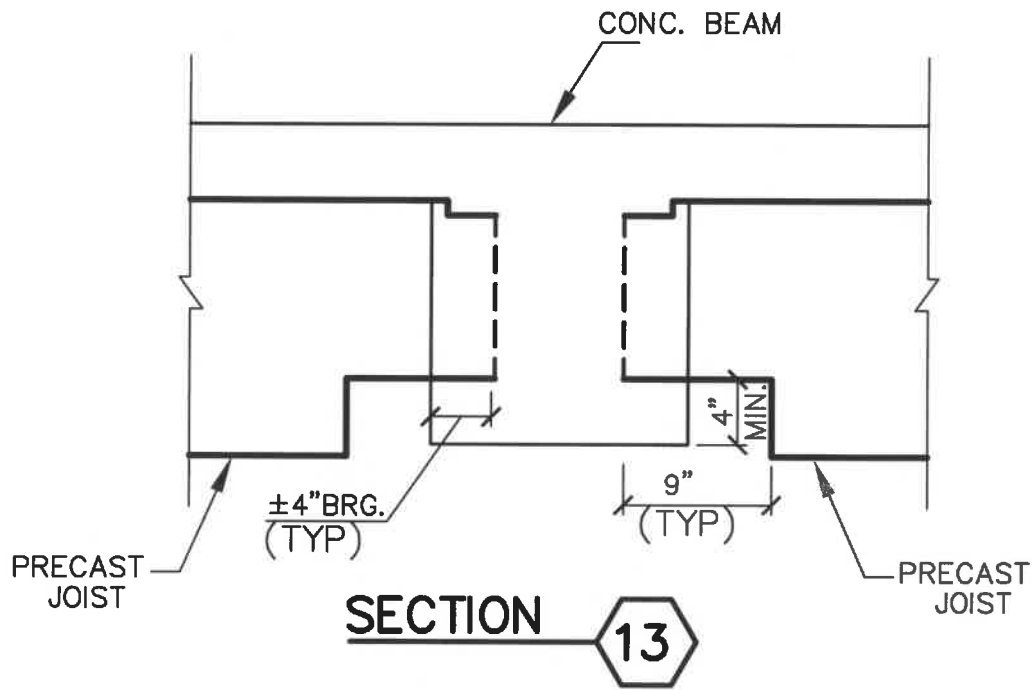
**PRESTRESS  
CONCRETE, INC.**



**SECTION** 

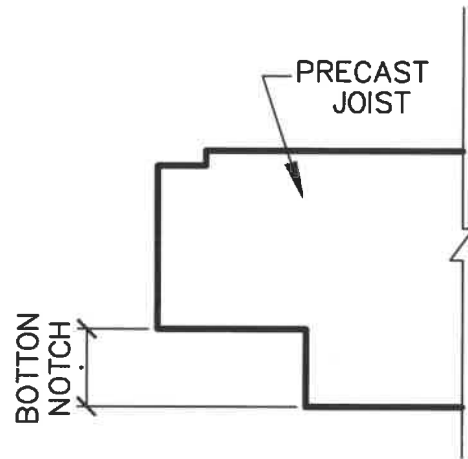


**PRESTRESS  
CONCRETE, INC.**





**PRESTRESS  
CONCRETE, INC.**

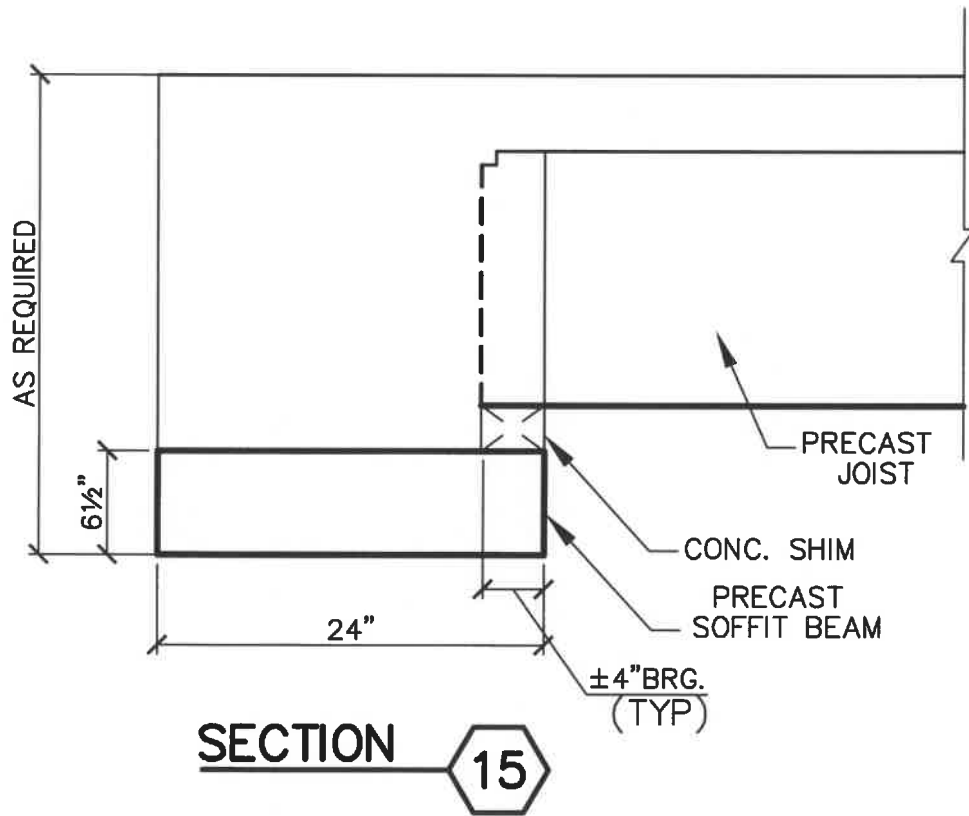


| JOIST SIZE | MAX. B. NOTCH                   |
|------------|---------------------------------|
| 8"         | —                               |
| 12"        | 4 $\frac{3}{4}$ "/NO TOP NOTCH  |
| 16"        | 6 $\frac{3}{4}$ "/NO TOP NOTCH  |
| 20"        | 8 $\frac{3}{4}$ "/NO TOP NOTCH  |
| 24"        | 10 $\frac{3}{4}$ "/NO TOP NOTCH |
| 28"        | 12 $\frac{3}{4}$ "/NO TOP NOTCH |

**SECTION** 

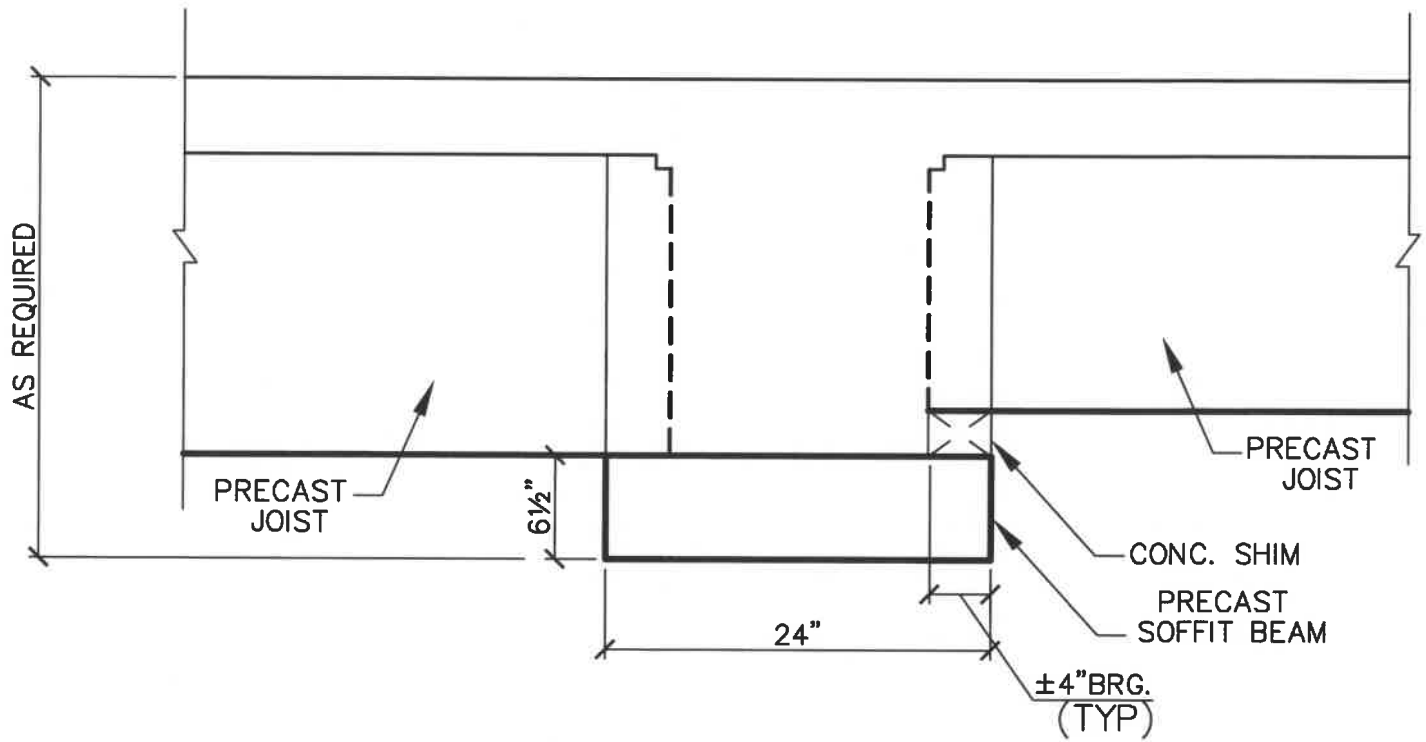


**PRESTRESS  
CONCRETE, INC.**





**PRESTRESS  
CONCRETE, INC.**

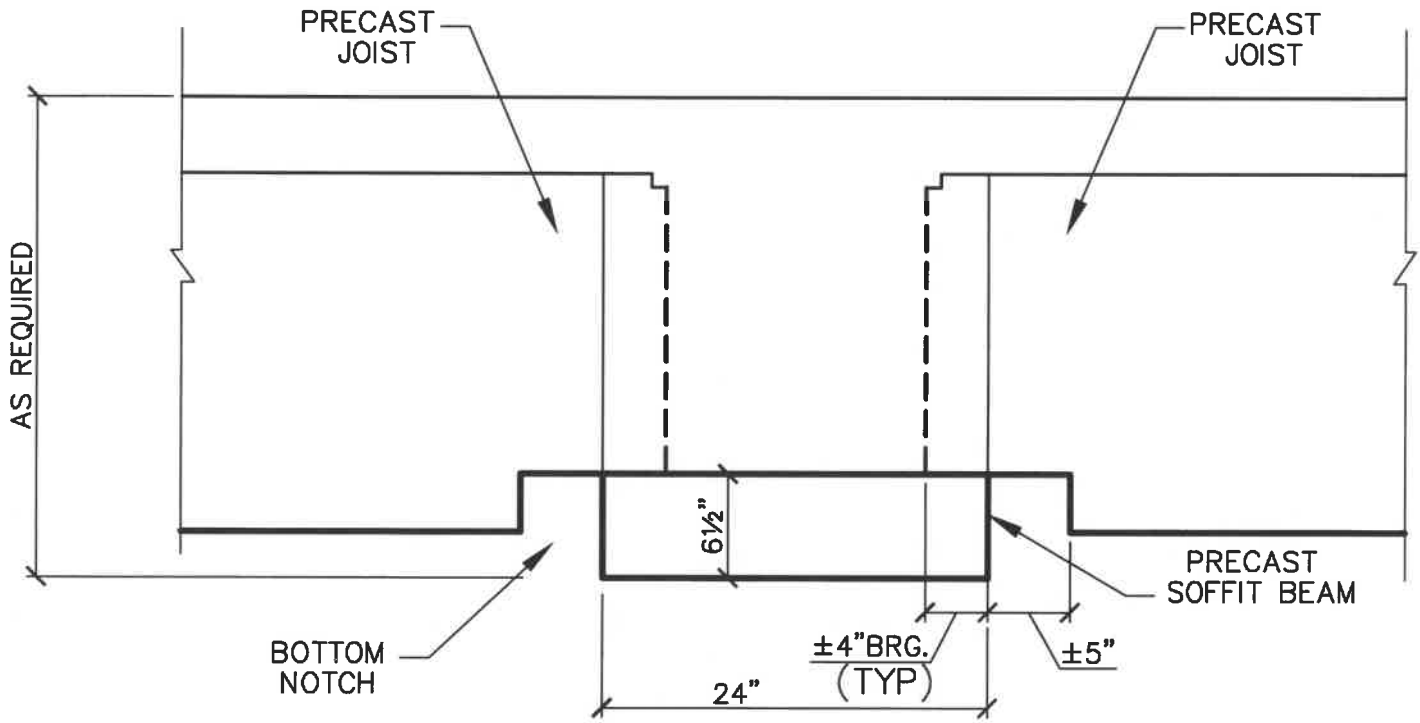


**SECTION** 





**PRESTRESS  
CONCRETE, INC.**

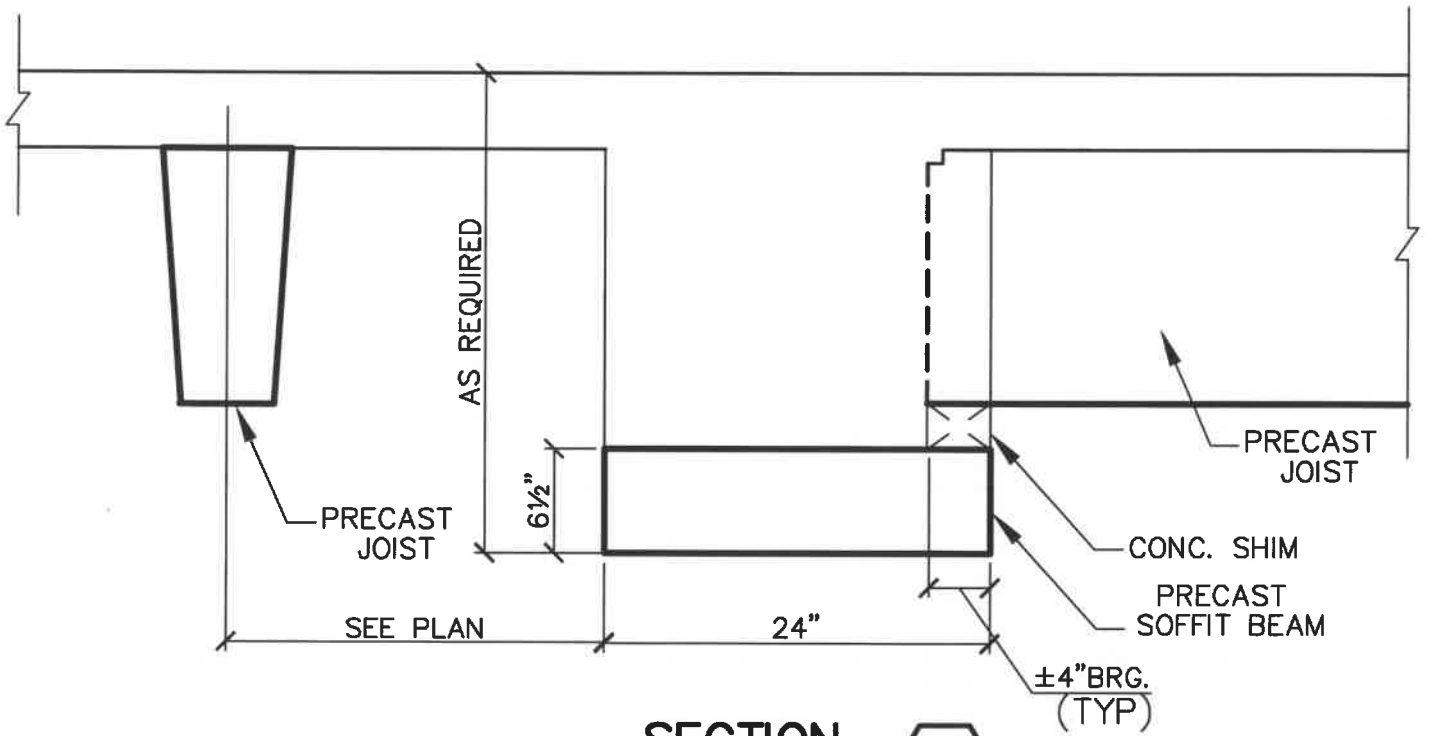


**SECTION**

**17**



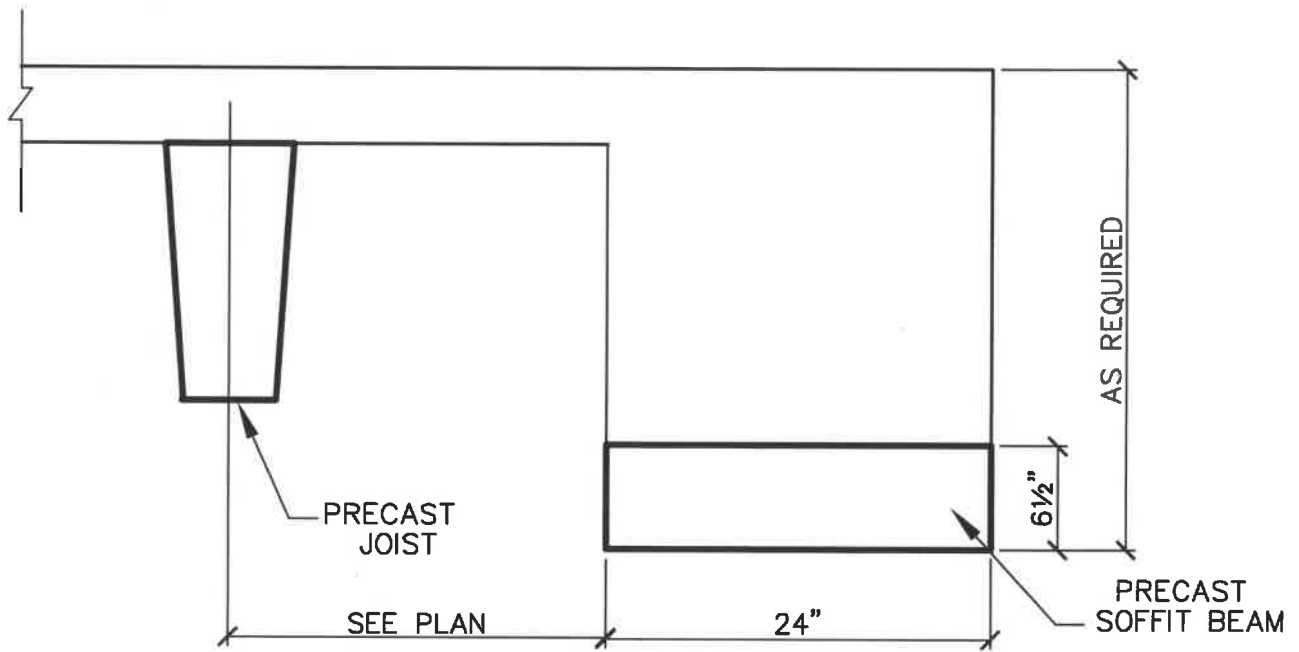
**PRESTRESS  
CONCRETE, INC.**



**SECTION** 18



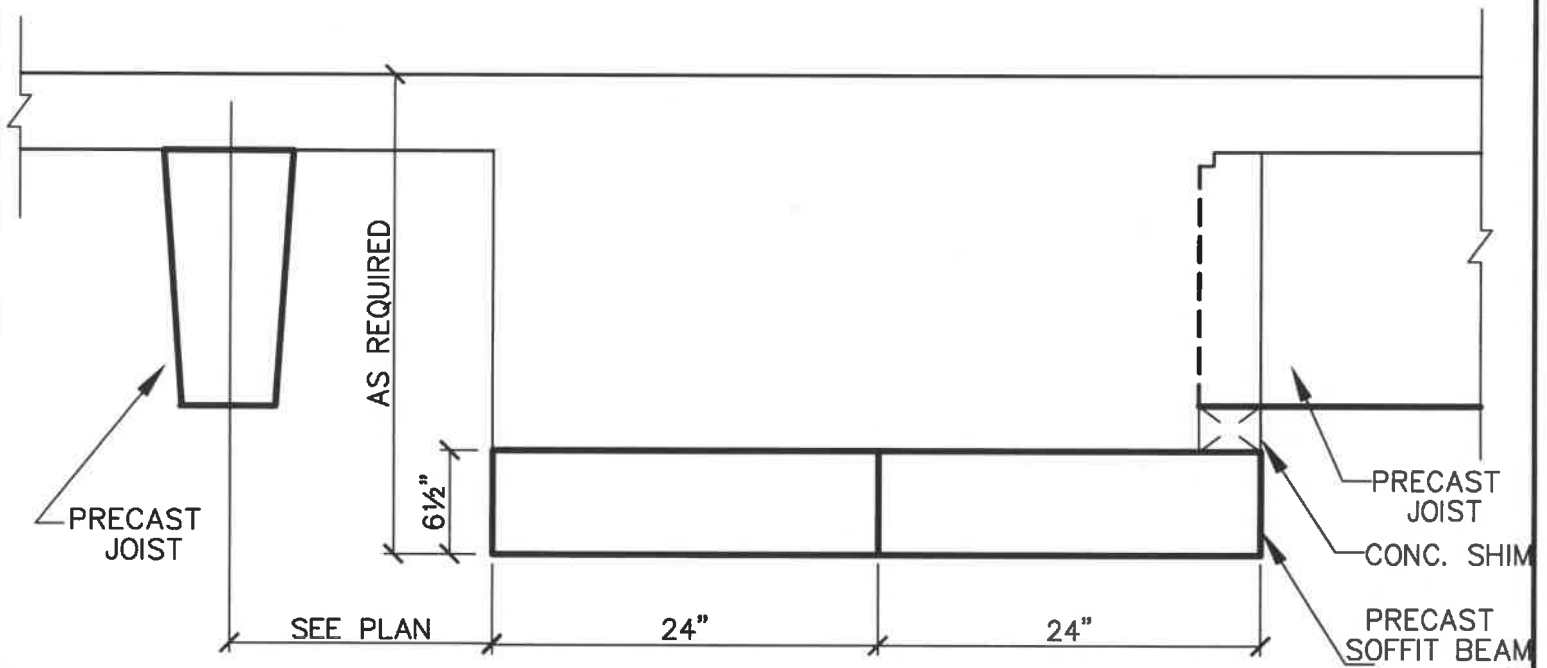
**PRESTRESS  
CONCRETE, INC.**



**SECTION** 



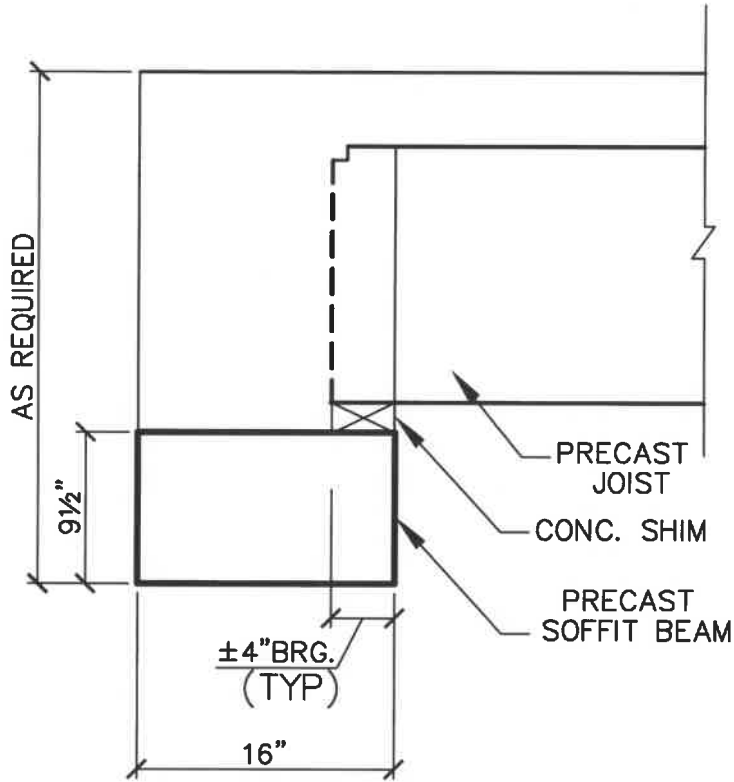
**PRESTRESS  
CONCRETE, INC.**



SECTION 



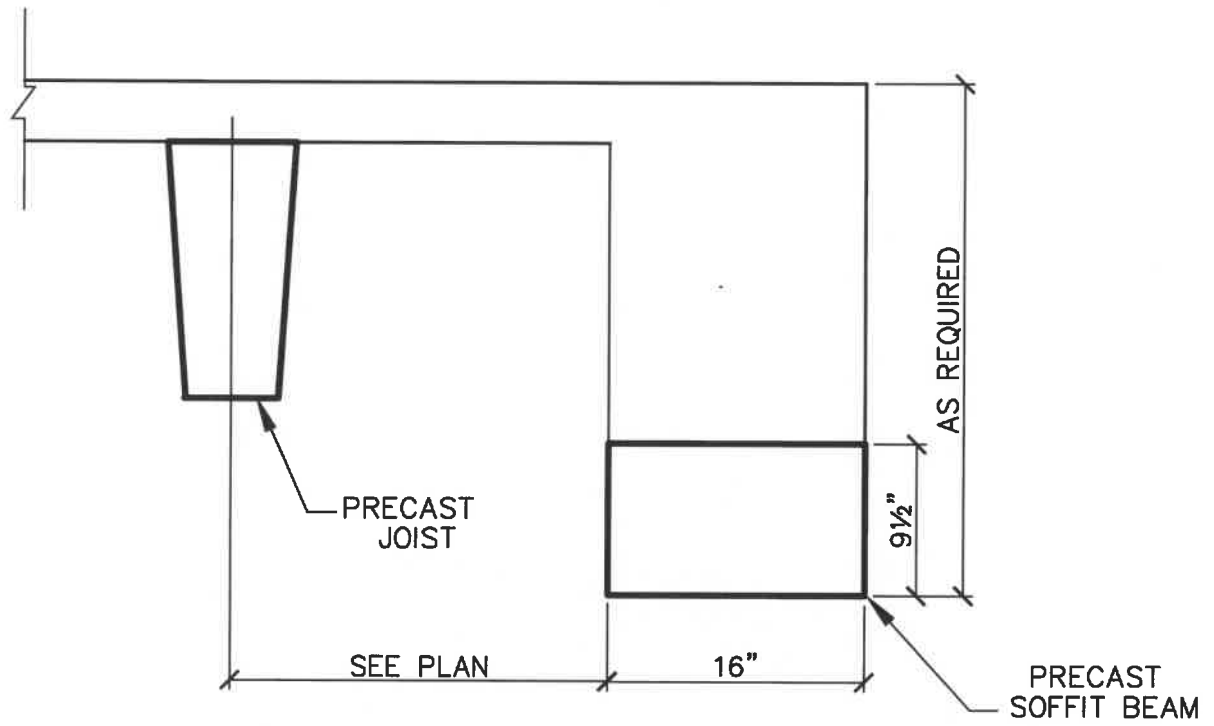
**PRESTRESS  
CONCRETE, INC.**



**SECTION** 



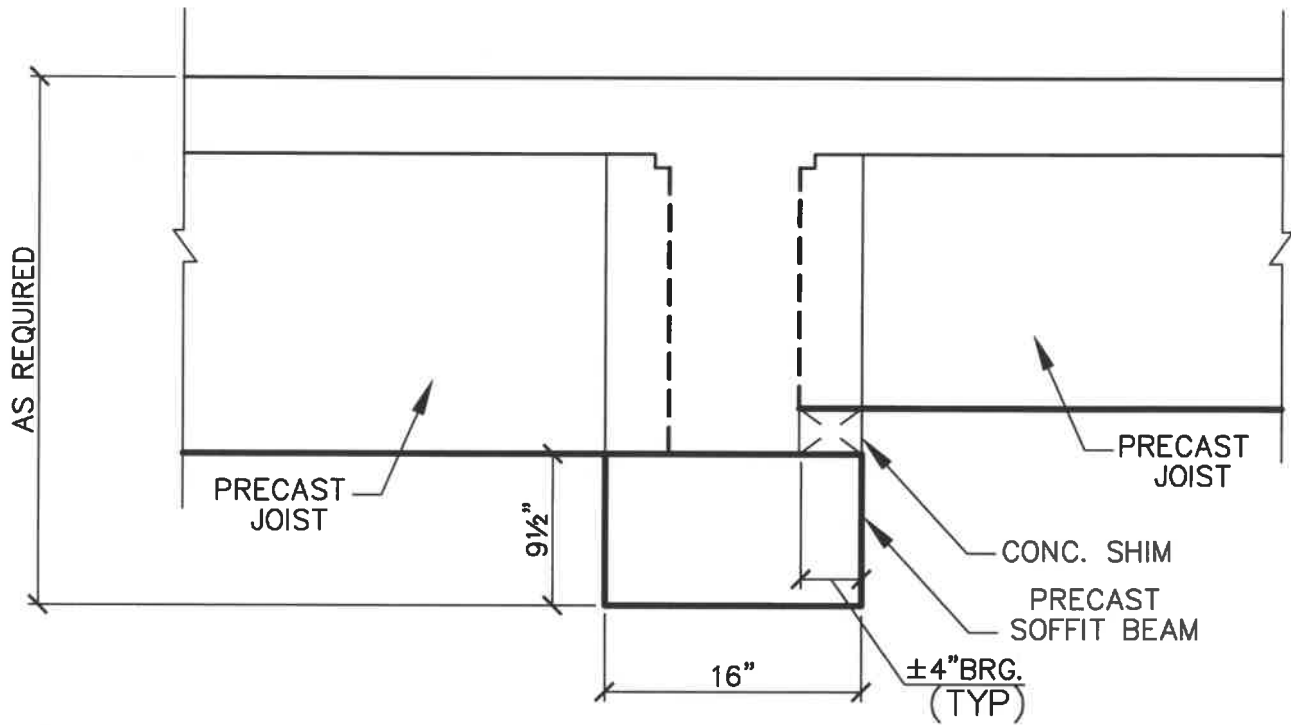
**PRESTRESS  
CONCRETE, INC.**



**SECTION**  22



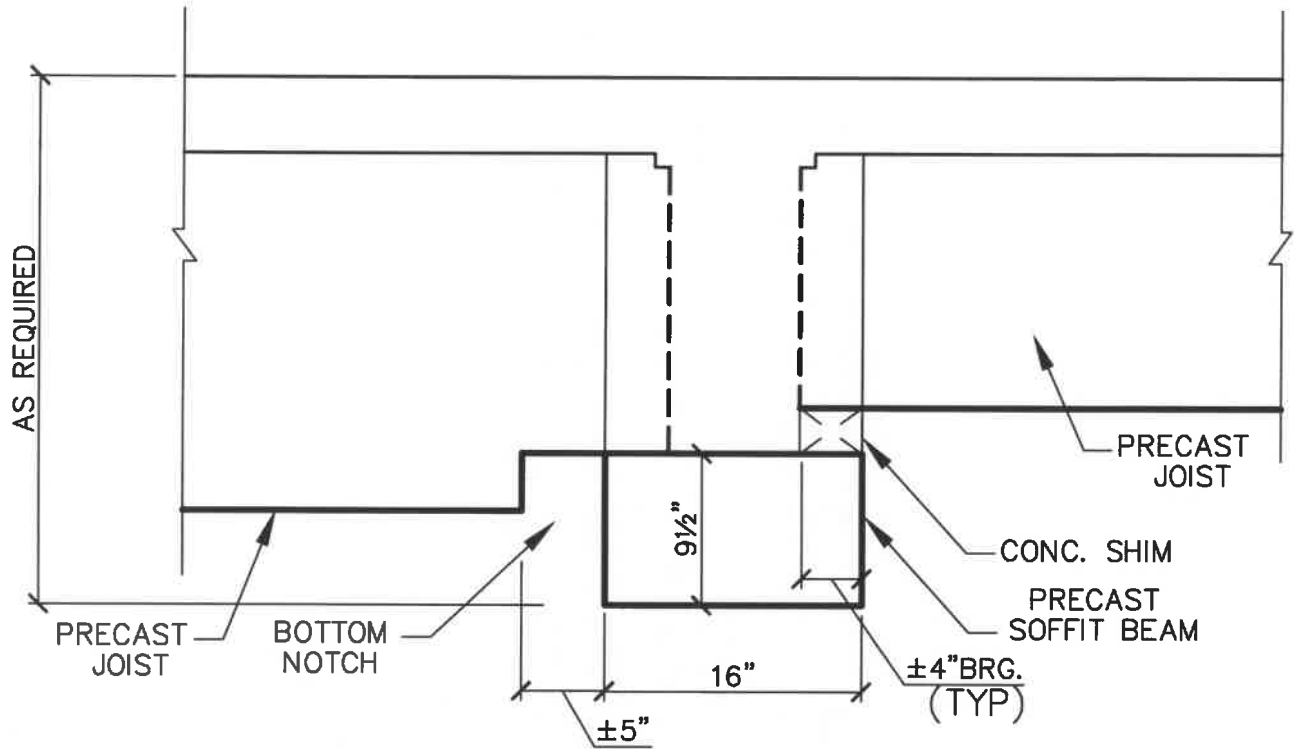
**PRESTRESS  
CONCRETE, INC.**



**SECTION** 



**PRESTRESS  
CONCRETE, INC.**



**SECTION** 

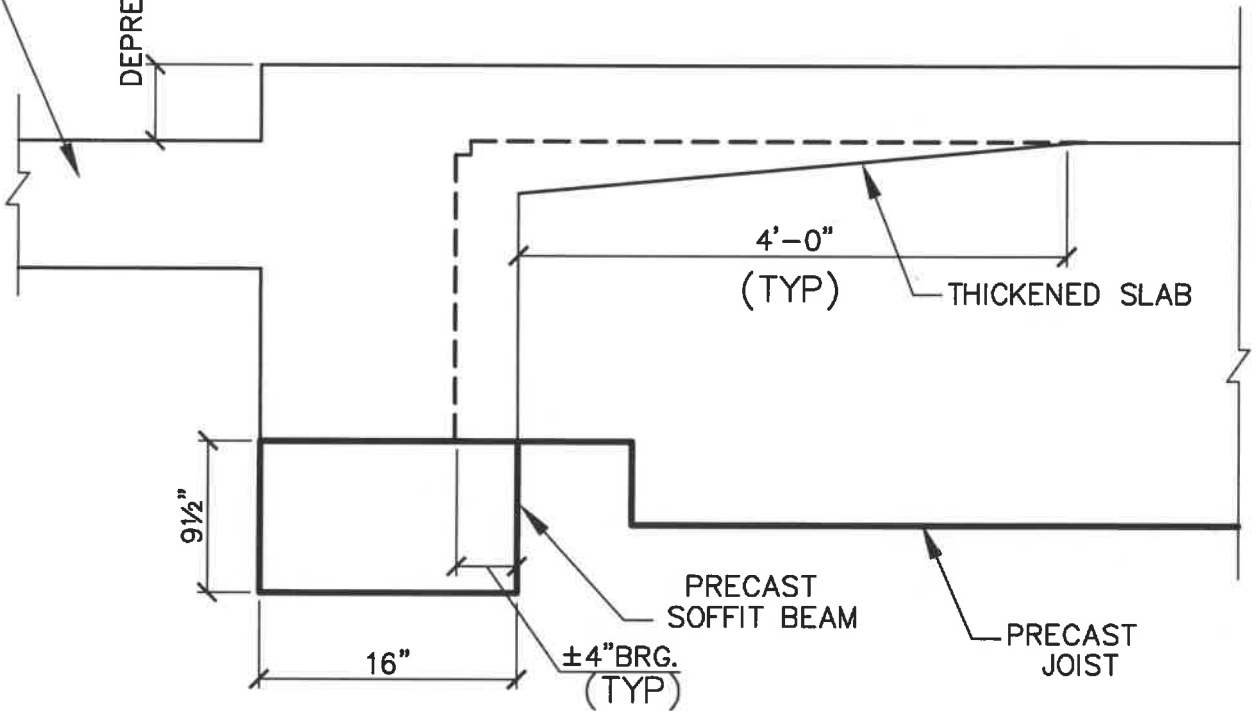




**PRESTRESS  
CONCRETE, INC.**

CONC. SLAB  
(BY OTHERS)

DEPRESSION

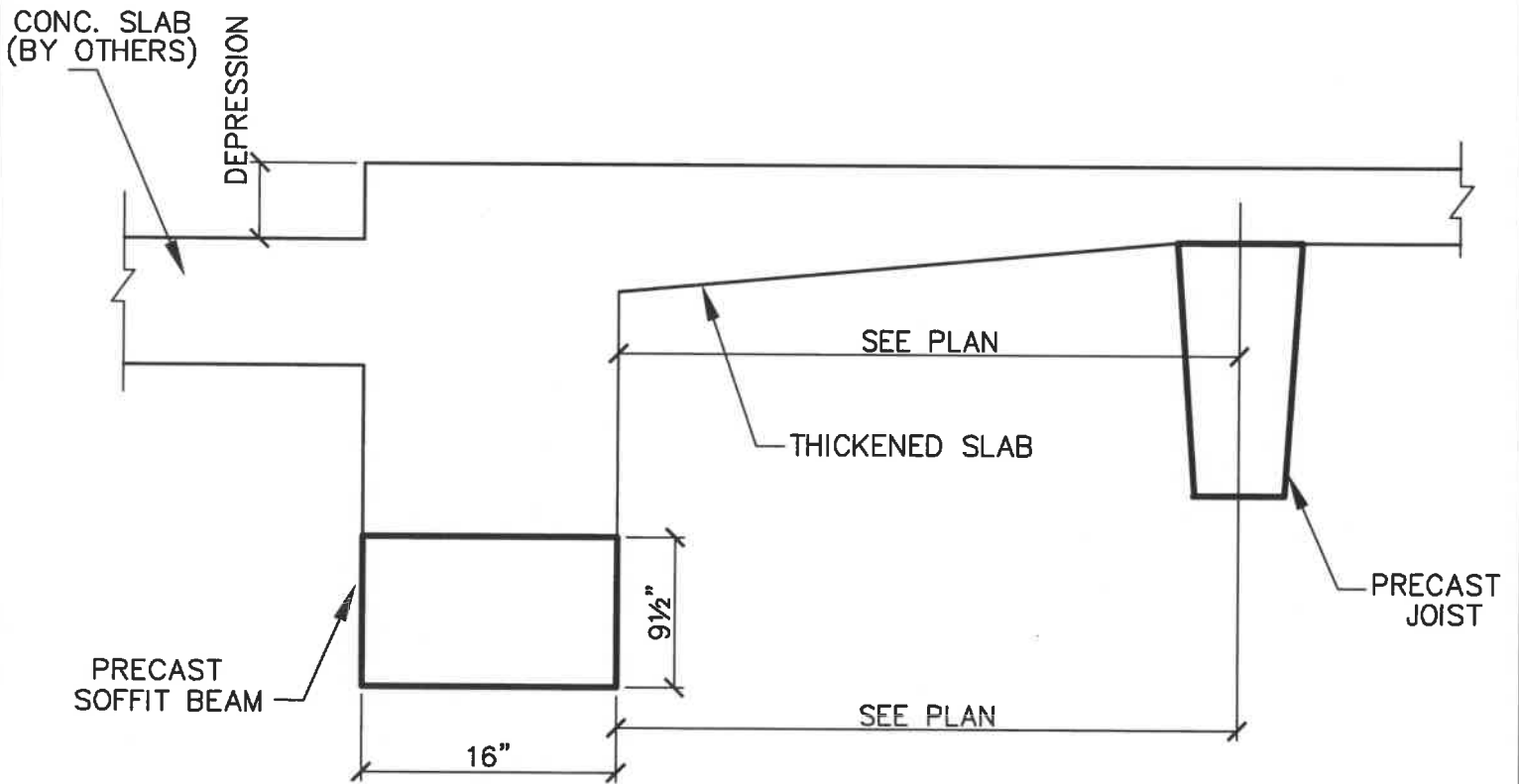


**SECTION**

25



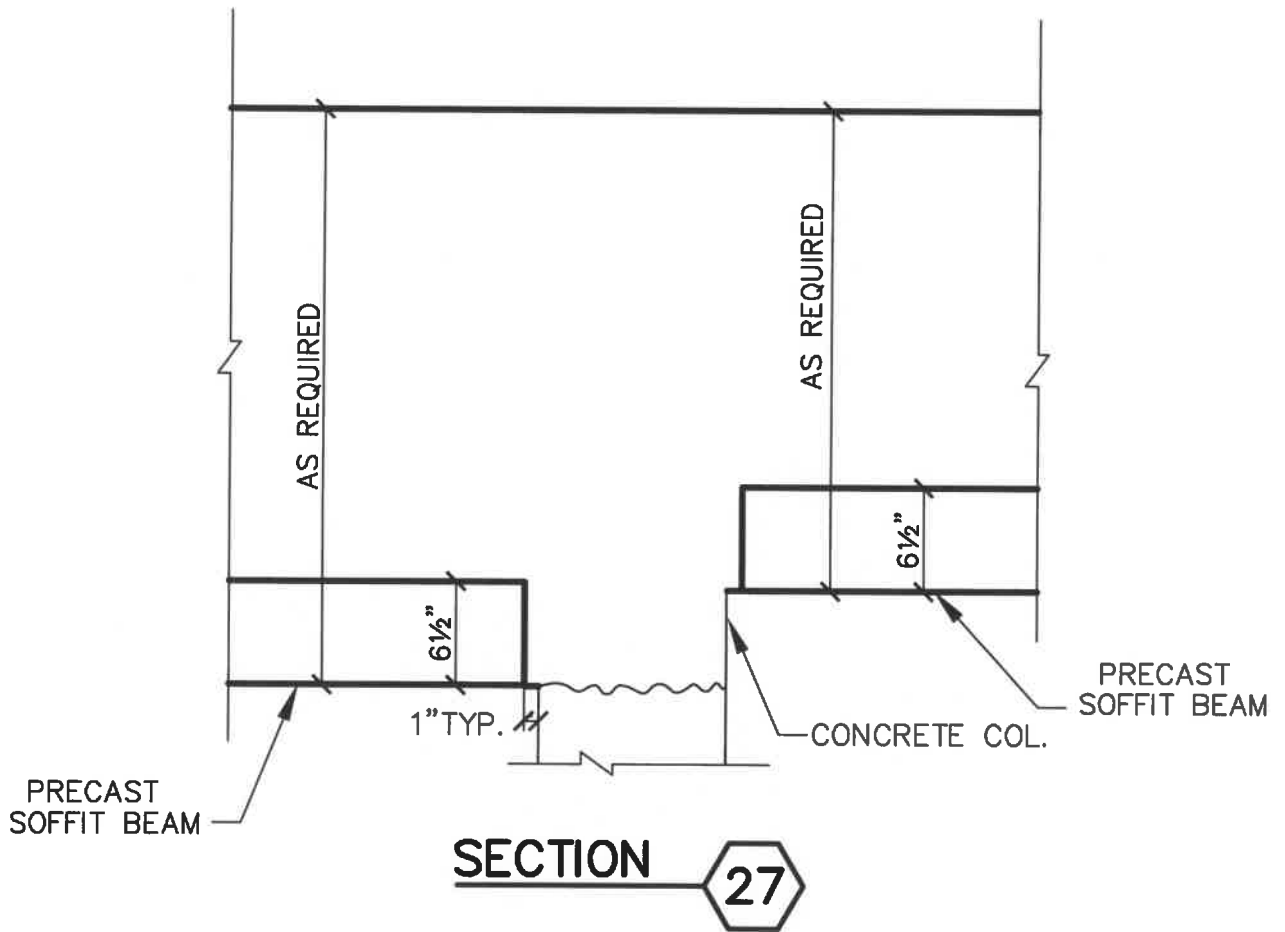
**PRESTRESS  
CONCRETE, INC.**



**SECTION** 

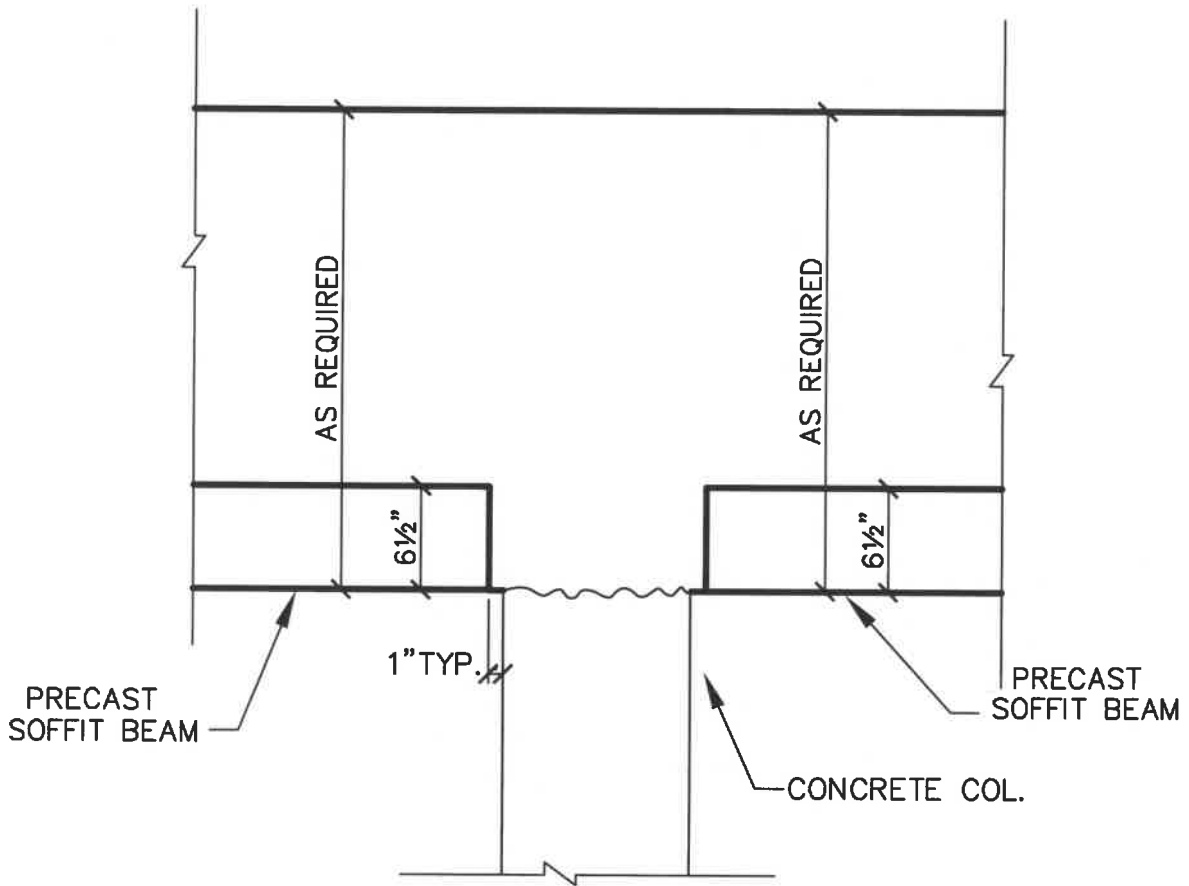


**PRESTRESS  
CONCRETE, INC.**





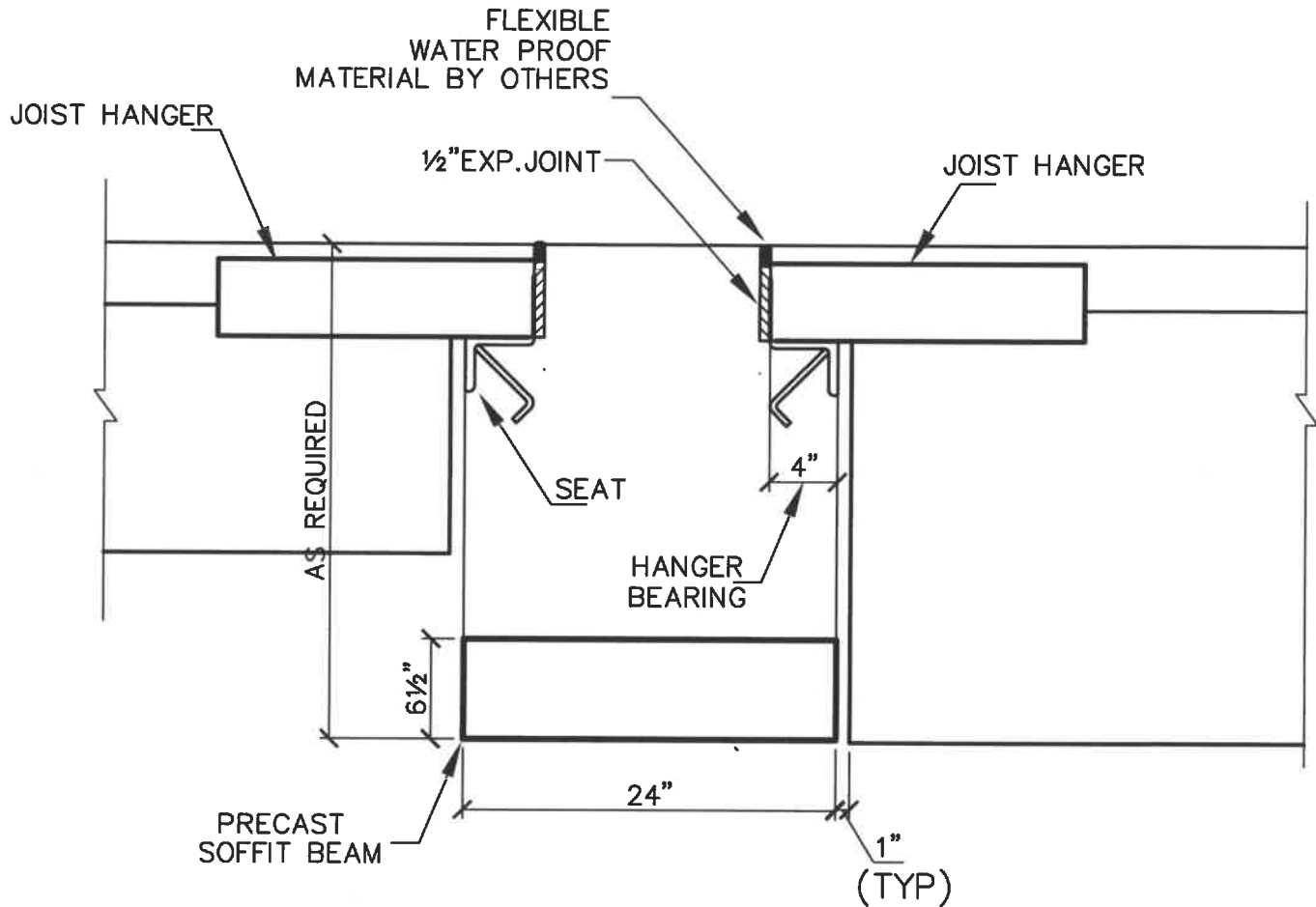
**PRESTRESS  
CONCRETE, INC.**



**SECTION** 



**PRESTRESS  
CONCRETE, INC.**



**SECTION**

**29**



**PRESTRESS  
CONCRETE, INC.**

